

Oxygen generator

Elektravägen 53
SE-126 30 Hägersten, Sweden
+46 10 252 30 00
www.ozonetech.com

AS-G

Alpha-Series Oxygen Generators produce from 0.56 to 141.58 m³ (20 to 5,000 ft³) of oxygen per hour at up to 95.5% oxygen concentration.

When electricity and a source of compressed air is supplied, these dependable machines can provide oxygen for any application.



Specification

Product characteristics	
Product flow	6.57-8.41 Nm ³ /h (250-320 SCFH) ¹
Product pressure	310-448 kPa (45-65 psig) ¹
Product concentration (nominal)	93%
Product dew point	-73 °C (-100 °F)
Dimensions (W x D x H) (nominal)	91 x 74 x 191 cm (36 x 29 x 75 in)
Weight	434 kg (956 lb)
Physical connections ²	
Compressed air inlet	¾" FNPT
Product gas outlet	¾" FNPT
Ambient operating conditions	
Locate the oxygen generator in a well ventilated area that is protected from weather elements and remains between 4 °C (40 °F) and 40 °C (104 °F)	
Feed air requirements	
Flow rate: refer to chart on next page. Clean and dry "Plant Air" (Class 5.6.5 per ISO 8573.1) Pressure: 621 kPa (90 psig) minimum Temperature: 50 °C (122 °F) maximum	
Control power requirements (single phase)	
120 V ~ ±10%, 50/60 Hz, 3.0 A or 220 V ~ ±10%, 50/60 Hz, 0.5 A	



© Ozonetech

ozonetech.
a MELLIFIQ brand

Oxygen generator

Specification

454 Liters/120 gallon oxygen receiver characteristics

Dimensions (Dia. x H)	61 x 199 cm (24 x 79 in)
Weight	128 kg (282 lb)

¹ Nm³ (Normal cubic meter) gas measured at 1 atmosphere and 0°C / SCF (Standard cubic foot) gas measured at 1 atmosphere and 70°F.

² Hose and applicable adapters included with optional Factory-supplied accessory kits.

Typical applications

Medical

- Hospital systems

Manufacturing

- Thermal/chemical oxidation
- Brazing/soldering/cutting

Environmental

- Ozone (generator) feed gas
- Environmental remediation
- Waste/water treatment

Glass industry

- Glass work/manufacturing/blowing

Additional

- Fish farming

Features

- Produces oxygen from an independent compressed air source
- Optional NEMA 4 touchscreen control panel with integrated oxygen concentration monitor
- Microprocessor controlled
- Low operating cost
- Automatic and unattended operation
- Easy to install and maintain

Elektravägen 53
SE-126 30 Hägersten, Sweden
+46 10 252 30 00
www.ozonotech.com



© Ozonotech

ozonotech.
a MELLIFIQ brand

Oxygen generator

Ordering information

Model	Part number	Description
AS-G	AS104-1	120 V ~ ±10%, 50/60 Hz ¹
	AS104-2	220 V ~ ±10%, 50/60 Hz ¹
	AS104-3	With NEMA 4 pressure switch, 120 V ~ ±10%, 50/60 Hz ¹
	AS104-4	With NEMA 4 pressure switch, 220 V ~ ±10%, 50/60 Hz ¹
	AS104-7	With HMI NEMA 4 touchscreen and oxygen concentration monitor, 120 V ~ ±10%, 50/60 Hz ¹
	AS104-8	With HMI NEMA 4 touchscreen and oxygen concentration monitor, 220 V ~ ±10%, 50/60 Hz ¹
	AS104-9	With CE vessels, 220 V ~ ±10%, 50/60 Hz ¹
	AS104-10	With NEMA 4 pressure switch/local remote ON/OFF, 120 V ~ ±10%, 50/60 Hz ¹
	AS104-11	With NEMA 4 pressure switch/local remote ON/OFF, 220 V ~ ±10%, 50/60 Hz ¹
	AS104-12	With oxygen concentration monitor (LED indicator), 120 V ~ ±10%, 50/60 Hz ¹
	AS104-13	With oxygen concentration monitor (LED indicator), 220 V ~ ±10%, 50/60 Hz ¹
	AS104-16	With China approved vessels, 220 V ~ ±10%, 50/60 Hz ¹
Accessories	TA151-1	454 Liters/120 gallon oxygen receiver
	KI413-1	Accessory kit (interconnecting hoses/ fittings and oxygen regulator)
	KI413-3	Accessory kit (HMI, interconnecting hoses/ fittings, isolation valves with oxygen regulator and oxygen filter)
	KI476-1	Accessory kit (oxygen hose - oxygen regulator to use point)
	KI404-3	Accessory kit (manual switch-over manifold for cylinder backup)

Elektravägen 53
SE-126 30 Hägersten, Sweden
+46 10 252 30 00
www.ozonotech.com



© Ozonotech

ozonotech.
a MELLIFIQ brand

Oxygen generator

Ordering information

Shipping information	AS-G	454 Liters/120 gallon oxygen receiver
Class	92.5	70
Commodity classification number	8421.39.8040	7311.00.0000
Dimensions (W x D x H)	86 x 104 x 211 cm (34 x 41 x 83 in) with accessory kit(s), boxed 86 x 104 x 216 cm (34 x 41 x 85 in) with accessory kit(s), crated 104 x 218 x 97 cm (41 x 86 x 38 in), horizontal 86 x 104 x 216 cm (34 x 41 x 85 in) with accessory kit(s) and CE beds, crated	102 x 122 x 216 cm (40 x 48 x 85 in)
Gross weight	452 kg (996 lb) with accessory kit(s), boxed 526 kg (1 159 lb) with accessory kit(s), crated 591 kg (1 303 lb), horizontal 547 kg (1 205 lb) with accessory kit(s) and CE beds, crated	161 kg (356 lb)

¹ Specify oxygen flow and pressure at time of order.

An unprotected or inadequately ventilated environment, or improper control power may cause damage to the oxygen generator. All performance ratings based on an ambient temperature up to 38 °C (100 °F), up to 304.8 meters (1,000 feet) elevation, and 80% relative humidity.

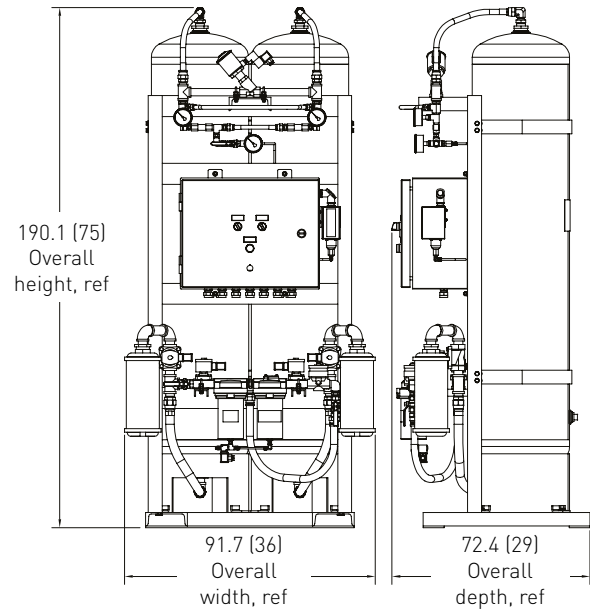
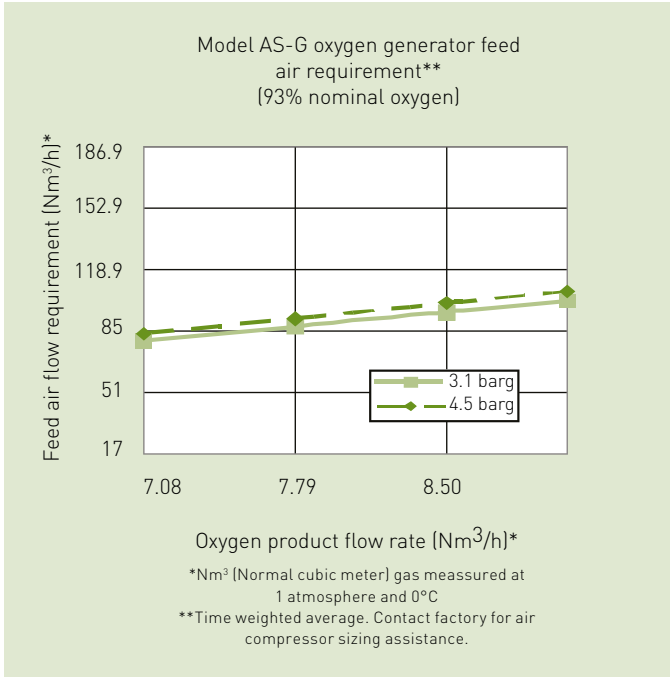
Elektravägen 53
SE-126 30 Hägersten, Sweden
+46 10 252 30 00
www.ozonotech.com



© Ozonotech

ozonotech.
a MELLIFIQ brand

Oxygen generator



Note: All dimensions are nominal

Elektravägen 53
SE-126 30 Hägersten, Sweden
+46 10 252 30 00
www.ozonetech.com



© Ozonetech

ozonetech.
a MELLIFIQ brand