



WF (WAFER) 1- 4 LAMP MEDIUM PRESSURE UV SYSTEMS

UV System	WF-115-3	WF115-4	WF-125-6	WF-215-6	WF-215-8	WF-225-8	WF-230-10	WF-430-12
Performance								
Certification	CE Marked							

UV Lamps and Monitoring								
Lamp Power Range (kW)	0.75 - 1.5	0.75 - 1.5	1.25 - 2.5	0.75 - 1.5	0.75 - 1.5	1.25 - 2.5	1.5 - 3.0	1.5 - 3.0
Lamp Number	1	1	1	2	2	2	2	4
Lamp Life	9,000 Hours							
Lamp Design	TWISTLOK™ Quick Release, Enhanced Safety - Medium Pressure							
UV Monitoring	AT-463 (4-20 mA) IP66 (AT-900 Optional)							
Variable Power	100% to 50% Power (Automatic Dose Pacing)							

UV Chamber								
Connection Size (mm/inch)	DN 80/3"	DN 100/4"	DN 150/6"	DN 150/6"	DN 200/8"	DN 200/8"	DN 250/10"	DN 300/12"
Connection Type	BS4504 PN10 RF Flange							
Design Pressure	10 Barg Design (15 Barg Test)							
Material Construction	316L Stainless Steel							
Internal / External Finish	Electropolished							
Lamp and Wiper Access	Single Ended Access							
Quartz Type	High Purity Quartz Sleeves							
Mounting	Fixed Brackets							
Wiper System	Manual Wiper System (Optional) / Automatic Wiper System (Optional)							
Temperature Probe	AT-487 (PT-100) - IP66							
Vent & Drain Ports	Yes							
Ingress Protection	IP65							
Installation	Horizontal or Vertical (Lamps must be Horizontal)							
Chamber Options	0.4 Ra & 0.8 Ra Internal Polish Upgrade / Super Duplex 25% Chrome Steel / Connection Types / Sample Tap / Level Switch / Bleed Solenoid							

Spectra II / Spectra II Touch - Local Control Cabinet							
Design	Epoxy Coated Mild steel - IP54 Standard						
Control Type	Microprocessor						
Interface	Soft Touch Push Button with 4 Line Text Display / 7" Touch Screen HMI - Full Colour Display (Optional)						
Communication	Modbus / Data Stream (other fieldbus options available)						
Lamp Power Supply	Choke						
Power Consumption	1650 W	2750 W	3300 W	5500 W	6600 W	13200 W	
Mains Power	230 V (Others Available)	400 V (Others Available)	230 V (Others Available)	400 V (Others Available)			
Power Requirements	1Ph + N + E	2 Ph + N + E	1 Ph + N + E	3 Ph + N + E			
Frequency	50 Hz (60 Hz Optional)						
Protection	Door Locked Isolator, MCB & Earth Leakage Protection						
Operating Temperature	Max Working Ambient +45 °C						
Operational Information	Please See SPECTRA II Data sheet (Upgrade to Spectra II Touch Optional)						

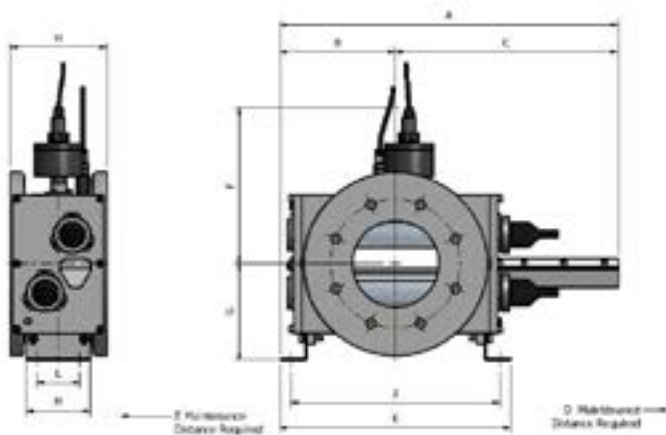


UV System	WF-115-3	WF115-4	WF-125-6	WF-215-6	WF-215-8	WF-225-8	WF-230-10	WF-430-12
Chamber Dimensions								
A	520 mm	520 mm	635 mm	635 mm	635 mm	635 mm	795 mm	795 mm
B	158 mm	158 mm	215 mm	215 mm	215 mm	215 mm	305 mm	305 mm
C	362 mm	362 mm	420 mm	420 mm	420 mm	420 mm	490 mm	490 mm
D	370 mm	370 mm	485 mm	485 mm	485 mm	485 mm	625 mm	625 mm
E	250 mm	250 mm	250 mm	250 mm	250 mm	250 mm	250 mm	250 mm
F	231 mm	231 mm	292 mm	292 mm	292 mm	292 mm	321 mm	346 mm
G	120 mm	120 mm	180 mm	180 mm	180 mm	180 mm	233 mm	258 mm
H	160 mm	160 mm	180 mm	180 mm	180 mm	180 mm	190 mm	190 mm
J	275 mm	275 mm	390 mm	390 mm	390 mm	390 mm	560 mm	560 mm
K	315 mm	315 mm	430 mm	430 mm	430 mm	430 mm	610 mm	610 mm
L	80 mm	80 mm	80 mm	80 mm	80 mm	80 mm	140 mm	140 mm
M	120 mm	120 mm	120 mm	120 mm	120 mm	120 mm	180 mm	180 mm
Dry Weight	27 kg	26 kg	57 kg	57 kg	53 kg	53 kg	80 kg	90 kg
Wet Weight	30 kg	29 kg	67 kg	66 kg	62 kg	62 kg	98 kg	110 kg

Spectra II - Dimensions								
Width	740 mm	740 mm	740 mm	740 mm	740 mm	740 mm	740 mm	940 mm
Height	600 mm	600 mm	760 mm	1000 mm	1000 mm	1000 mm	1000 mm	1400 mm
Depth	250 mm	250 mm	290 mm	340 mm	340 mm	340 mm	340 mm	340 mm
Weight	55 kg	55 kg	60 kg	75 kg	75 kg	75 kg	130 kg	250 kg
Standard Cable Length	5 m							
Max Cable Length*	20 m	20 m	20 m	20 m	20 m	20 m	20 m	20 m

*It may be possible to extend the cable length beyond the figures given, if this is required please contact us for details

KEY FOOTPRINT DIMENSIONS



Note: For full dimensions please see the specific GA drawing.

Elektravägen 53
SE-126 30 Hägersten, Sweden
+46 8 714 07 00
www.ozonotech.com